

TASK LIGHTS



TABLE LAMPS

LUCTRA® TABLE and TABLE PRO give top quality light wherever you place them.

These lamps bring not only excellent design but also biologically effective light that can be adjusted to your individual personal lighting needs.



EASY TO HANDLE

LUCTRA® models come with the latest LED technology and offer light of excellent quality. The colour and intensity of the light is easy and intuitive to set. Simply tap the touch panel to adjust the light to your personal needs.

Control via the app is particularly convenient, allowing you to create the optimal 24-hour lighting curve, automating the light to change throughout the day without you having to think about it.



GERMAN
DESIGN
AWARD
GOLD
2017



reddot award 2015
winner lighting design



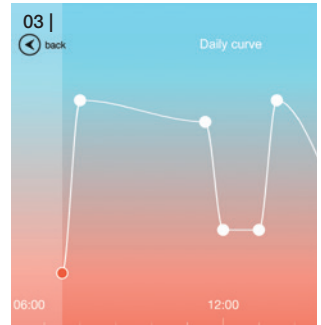
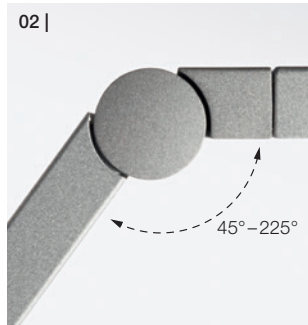


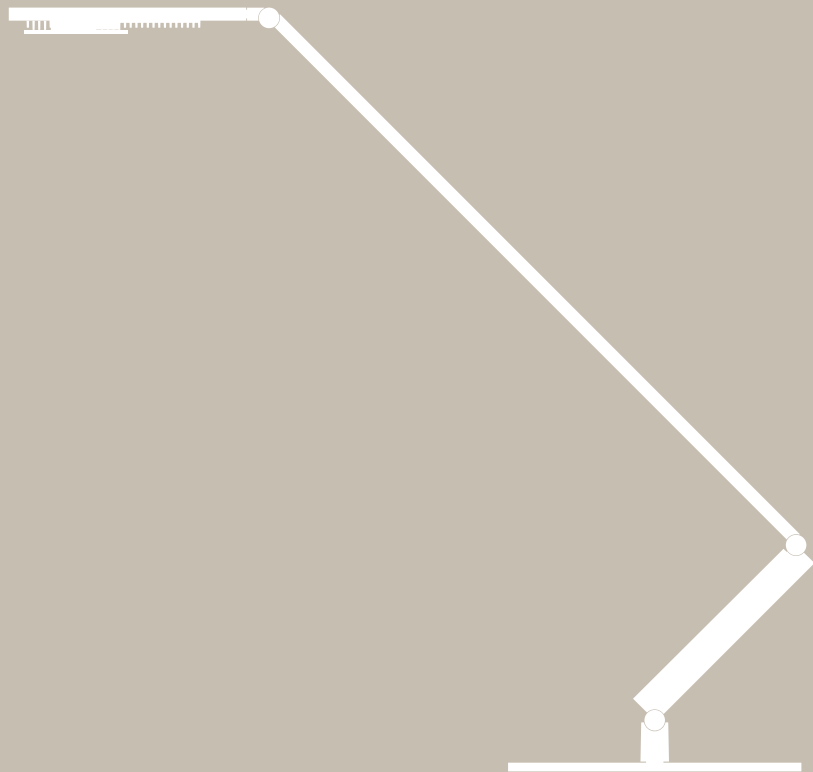


FEATURES

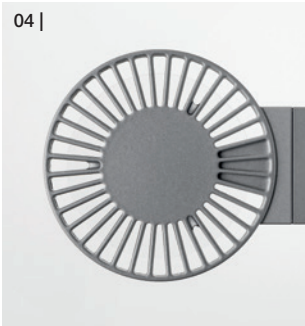
The design of the table lamp has deliberately been kept timeless and restrained, so that all its variants fit into a greater variety of rooms and interior design styles. The TABLE and TABLE PRO lamps are available with either a round (RADIAL) or an angular lamp head (LINEAR) and come in a range of colours - black, white and aluminium. For use in offices, the convenient TABLE PRO model is recommended. TABLE offers optimal light quality for home offices.

- 01 | Colour temperature adjustable from 2,700 to 6,500 Kelvin, boost function for short-term maximum activation, USB charging feature for smartphones and tablets
- 02 | Self-locking joints
- 03 | Adjustment of colour temperature to personal daily rhythm with VITACORE® app
- 04 | Perfect temperature management for a long service life of well over 50,000 hours for LEDs
- 05 | Two warm-white and two cold-white CREE high-power LEDs, high light illuminance of 1,000 lux at a height of 75 cm above the table surface, narrow tolerance binnings for high colour fidelity, high colour rendition with CRI ≥ 80 .





04 |



05 |



FOCUS ON PEOPLE

All human beings have their own circadian rhythms controlled primarily by natural daylight.

With state-of-the-art LED technology and control, LUCTRA® is able to simulate the natural course of daylight and therefore ensure a well-balanced day-and-night rhythm.



ABOUT LUCTRA®

LUCTRA® has set out to provide the best possible light for working: innovative, inspiring, reliable, sustainable. Light which not only illuminates, but also makes its users more contented, less tired and perhaps even a little more successful. This works because it gives the right impulses for every situation, perfectly in line with the user's taste.

The biological effect of LUCTRA® light was proven in a clinical study.

All LUCTRA® lamps are developed and assembled manually in Germany.

See www.luctra.eu for further details about our project support, other products and our team.



Made in
Germany

